

# Complete trolley kits

SK Series

Instruction Manual



**⚠ WARNING:** Read carefully and understand all ASSEMBLY AND OPERATION INSTRUCTIONS before operating. Failure to follow the safety rules and other basic safety precautions may result in serious personal injury.

## Intended Use

- For short, variable transportation distances.
- For installation works and movement of heavy loads.
- The steering handle give you precise control making it easy to manoeuvre large machinery or into tight areas.
- Moving speed no exceeding 5m/min.
- Minimum turning circle is 3m.

## Important Safety Information

All maximum carrying capacities are based for use on a steel surface ,Which withstands the pressure of the chain-roller ,For safety ,the carrying capacities in complete sets are calculated so that 2 Roller Skates could support the full load on uneven surfaces.

The track surface is important for the safe transportation of the load ,not the carrying capacity the Roller Skate ,Tiles are unsuitable .Movement on tarmac and concrete is restricted .In these cases it is recommended to put a steel plate of a minimum of 10mm thickness underneath.

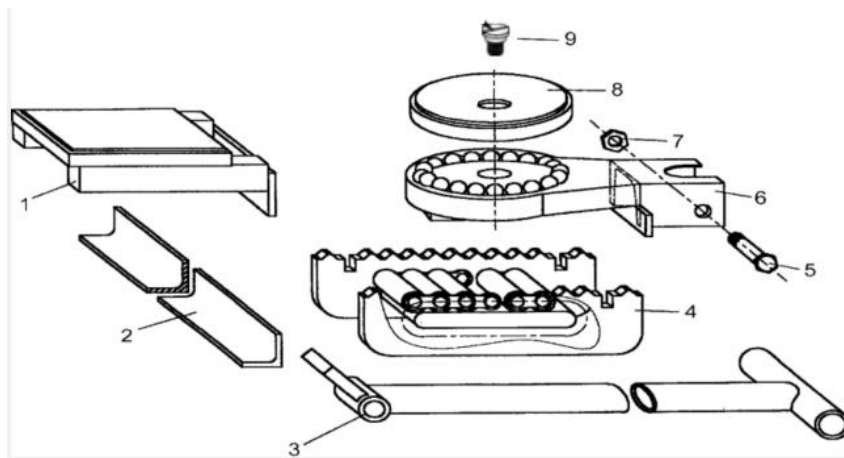
Due to the little effort required to overcome the rolling resistance(4-7%of the total load)precautionary measures must be taken for use on inclined surfaces.

Technical Specifications			
Model	SK20	SK 30	SK60
Capacity (lb.)	44,000	66,000	132,000
Length Support (in.)	4-23/32	4-23/32	5-1/8
Width Support (in.)	4-23/32	4-23/32	5-1/8
Total Height (in.)	4-1/4	4-39/64	5-33/64
Roller Dia. (in.)	ϕ45/64	ϕ15/16	ϕ1-3/16
Swivel Top (in.)	ϕ5-1/8	ϕ5-1/8	ϕ5-29/32
Weight of Set (lb.)	110	127	202

## Main Parts of Machinery Mover



Including 4 roller skates, 2 turntables, 2 packing plates, 2 steering handles, 2 link-up bars, one draw bar, one metal box.



Part No.	Parts Description	Quantity
1	Packing plate	2
2	Link-up bar	2
3	Steering handle	2
4	Roller skates	4
5	Bolt	2
6	Rotary table support	2
7	Nut	2
8	Turntable	2
9	Screw	2